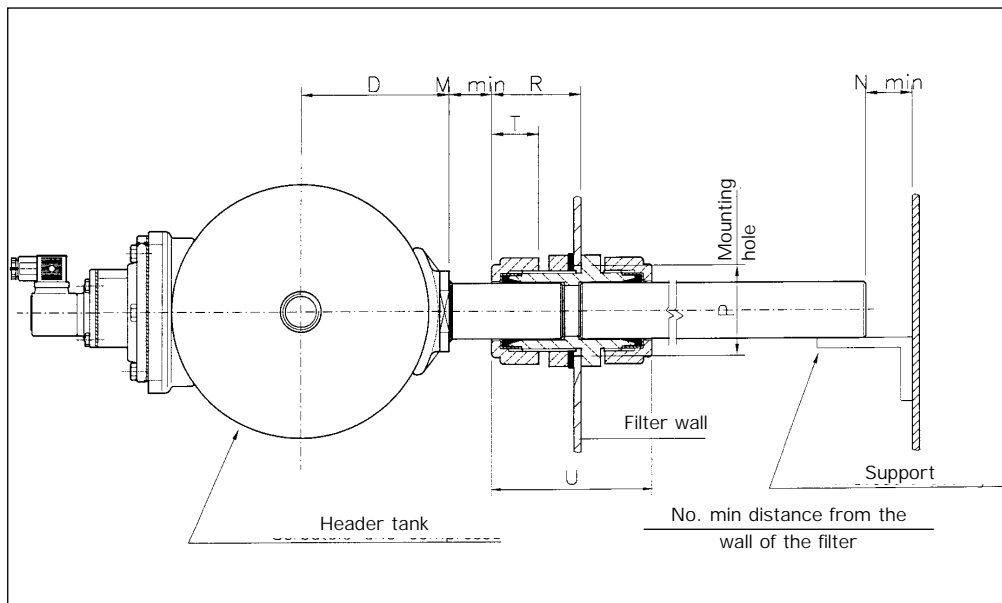
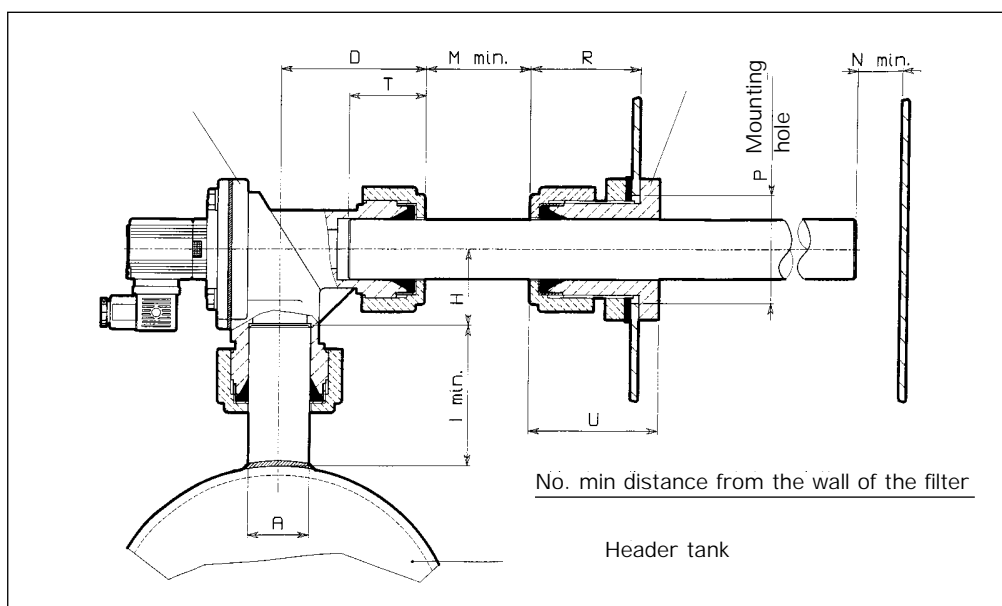


PTD ASSEMBLING LAYOT OVER "FULL IMMERSION" TANK

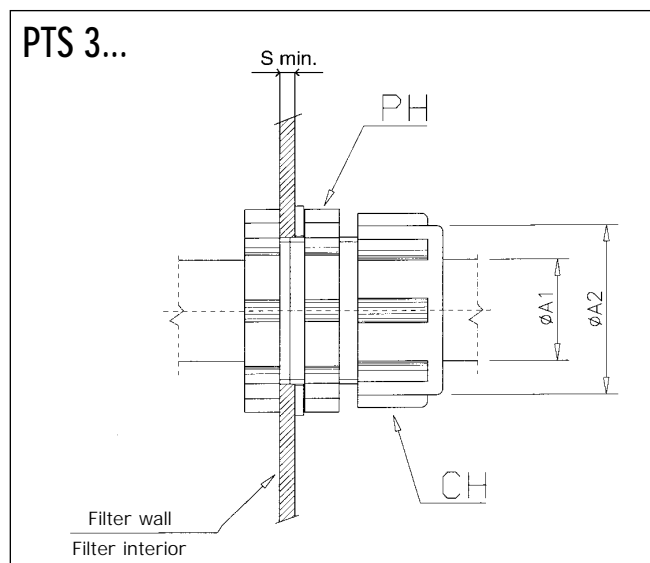
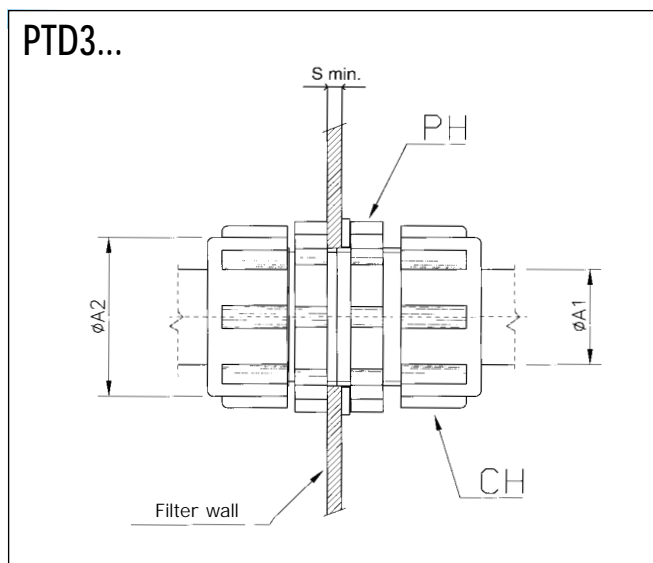


| TYPE | A Ø | D | M | N | T | Weight kg | TYPE | A Ø | R | P Ø | U | Weight Kg |
|-------------|--------|-----|----|----|----|-----------|--------|--------|----|-----|-----|-----------|
| VEP506 | 3/4" | 92 | 15 | 48 | 30 | 0,9 | PTD306 | 3/4" | 54 | 42 | 102 | 0,35 |
| VEP508 | 1" | 106 | 20 | 50 | 36 | 1,2 | PTD308 | 1" | 57 | 54 | 106 | 0,6 |
| VEP 512+514 | 1 1/2" | 151 | 30 | 54 | 42 | 2,3 | PTD314 | 1 1/2" | 76 | 70 | 140 | 1,3 |
| VEP516 | 2" | 138 | 30 | 60 | 42 | 2,8 | PTD316 | 2" | 77 | 85 | 148 | 2 |

PTS ASSEMBLING LAYOUT OVER THROUGH TUBE



| TYPE | A Ø | D | H | I | M | N | T | Weight kg | TYPE | A Ø | R | P Ø | U | Weight kg |
|--------|--------|----|----|----|----|----|----|-----------|--------|--------|----|-----|----|-----------|
| VEP306 | 3/4" | 67 | 40 | 50 | 56 | 48 | 30 | 0,9 | PTS306 | 3/4" | 54 | 42 | 65 | 0,25 |
| VEP308 | 1" | 80 | 48 | 60 | 70 | 50 | 36 | 1,2 | PTS308 | 1" | 57 | 54 | 68 | 0,4 |
| VEP314 | 1 1/2" | 99 | 53 | 85 | 80 | 54 | 42 | 2,3 | PTS314 | 1 1/2" | 76 | 70 | 94 | 0,86 |

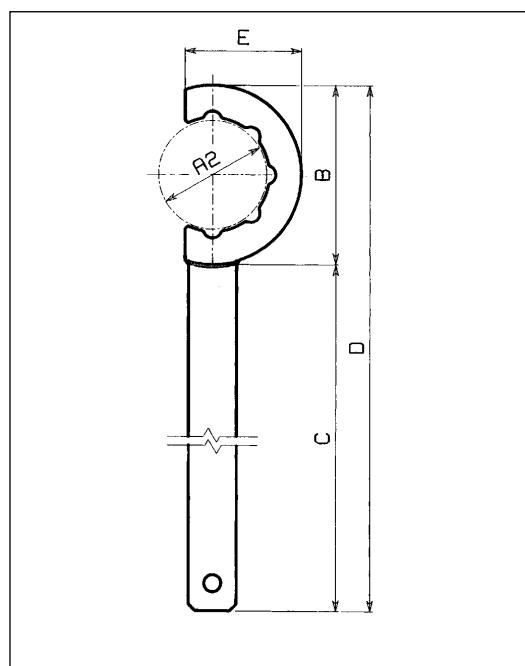


| MODEL | A 1 Ø | A1 Ø max. | A 2 Ø | wrench CH | wrench PH | S min. |
|----------------|----------|--------------|----------|--------------|--------------|-----------|
| PTD 306 | ¾" | 26,7 | 27 | 48 | PH06 | 2 |
| PTD 308 | 1" | 33,4 | 33,8 | 61 | PH08 | 2,5 |
| PTD 314 | 1½" | 48,3 | 48,8 | 82 | PH14 | 3 |
| PTD 316 | 2" | 60,3 | 60,8 | 95 | PH16 | 3 |

| MODEL | A 1 Ø | A1 Ø max. | A 2 Ø | wrench CH | wrench PH |
|----------------|----------|--------------|----------|--------------|--------------|
| PTS 306 | ¾" | 26,7 | 27 | 48 | PH06 |
| PTS 308 | 1" | 33,4 | 33,8 | 61 | PH08 |
| PTS 314 | 1½" | 48,3 | 48,8 | 82 | PH14 |
| PTS 316 | 2" | 60,3 | 60,8 | 95 | PH16 |

Tolerance on external tube diameters according to UNI 6363.

ASSEMBLING CH AND PH WRENCHES



CH WRENCH for ring nut tightening

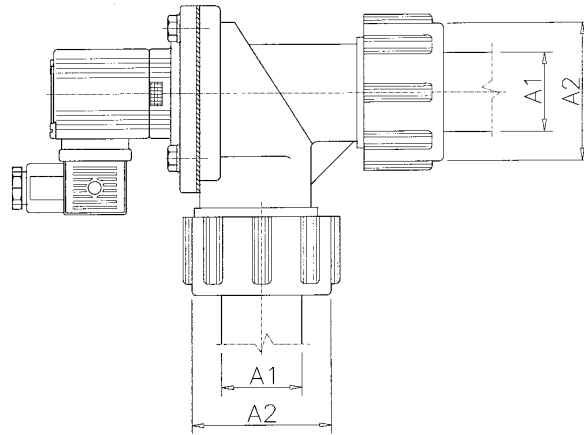
| TYPE | A1 Ø | A2 Ø | B Ø | C | D | E | WEIGHT kg |
|-------------|---------|---------|--------|-----|-----|-----|--------------|
| CH06 | ¾" | 48 | 80 | 200 | 280 | 55 | 0,24 |
| CH08 | 1" | 61 | 100 | 250 | 350 | 68 | 0,44 |
| CH14 | 1½" | 82 | 130 | 300 | 430 | 85 | 0,7 |
| CH16 | 2" | 95 | 150 | 350 | 500 | 100 | 0,78 |
| CH20 | 2½" | 115 | 170 | 350 | 520 | 110 | 0,8 |
| CH24 | 3" | 128 | 190 | 350 | 540 | 120 | 0,9 |

PH WRENCH for bolts tightening

| TYPE | A1 Ø | A2 Ø | B Ø | C | D | E | WEIGHT Kg |
|-------------|---------|---------|--------|-----|-----|-----|--------------|
| PH06 | ¾" | 55 | 80 | 200 | 280 | 55 | 0,24 |
| PH08 | 1" | 70 | 100 | 260 | 360 | 65 | 0,31 |
| PH14 | 1½" | 90 | 130 | 270 | 400 | 85 | 0,5 |
| PH16 | 2" | 95 | 150 | 350 | 500 | 100 | 0,78 |



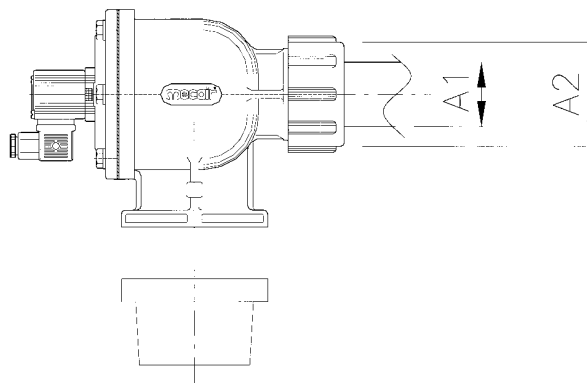
300 SERIES DIAPHRAGM VALVES



| TYPE VALVE | A 1 Ø | A 1 Ø max. | A 2 Ø | wrench CH | |
|------------|-------|------------|-------|-----------|------|
| 306 | ¾" | 26,7 | 27 | 48 | CH06 |
| 308 | 1" | 33,4 | 33,8 | 61 | CH08 |
| 312 | 1½" | 48,3 | 48,8 | 82 | CH14 |
| 316 | 2" | 60,3 | 60,8 | 95 | CH16 |

Tolerance on external tube diameters according to UNI 6363.

DIAPHRAGM VALVES SERIES 600 or 700



| TYPE VALVE | A 1 Ø | A 1 Ø max. | A 2 Ø | wrench CH | |
|------------|-------|------------|-------|-----------|------|
| 608 | 1" | 33,4 | 33,8 | 61 | CH08 |
| 612 | 1½" | 48,3 | 48,8 | 82 | CH14 |
| 614 | 1½" | 48,3 | 48,8 | 82 | CH14 |
| 616 | 2" | 60,3 | 60,8 | 95 | CH16 |
| 620 | 2½" | 76,1 | 76,9 | 115 | CH20 |

| TYPE VALVE | A 1 Ø | A 1 Ø max. | A 2 Ø | wrench CH | |
|------------|-------|------------|-------|-----------|------|
| 708 | 1½" | 48,3 | 48,8 | 82 | CH08 |
| 712 | 2" | 60,3 | 60,8 | 95 | CH14 |
| 714 | 2" | 60,3 | 60,8 | 95 | CH14 |
| 716 | 2½" | 76,1 | 76,9 | 115 | CH16 |
| 720 | 3" | 88,9 | 89,8 | 128 | CH20 |

Tolerance on external tube diameters according to UNI 6363.



Mecair S.r.l.
Diaphragm Valves and Electronic Controls for Dust Collector Filters
Via per Cinisello 97, 20054 Nova Milanese - Milano - Italy
Tel. ++39 0362 3751 • Fax ++39 0362 367279
<http://www.mecair.it> - E-mail: mecair@mecair.it

CAT. PAS 0499e

Mecair reserves the right to make changes in design and/or constructions at any time without incurring any obligations on units previously sold.



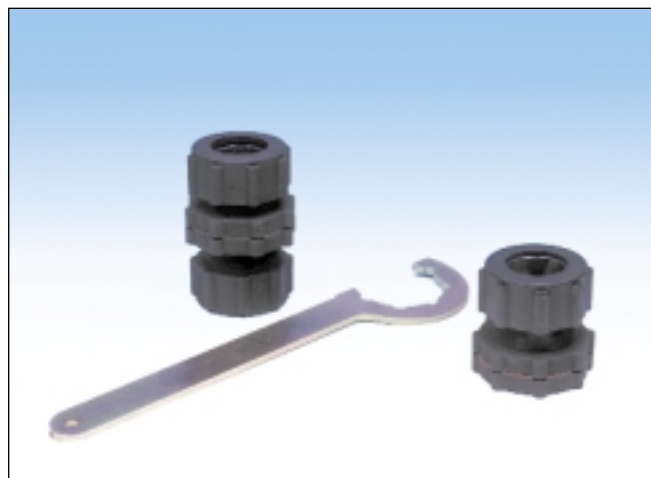
The bulkhead fittings connect the valve to the blow tube through the wall of the filter. An important saving of time and material is allowed by the quickness of the connection to a non threaded blow tube with no need for welding or use of additional fittings.

Two version of the bulkhead compression fittings are available:

- **PTD**: two piece tube connection fittings,
- **PTS**: through tube connection fittings.

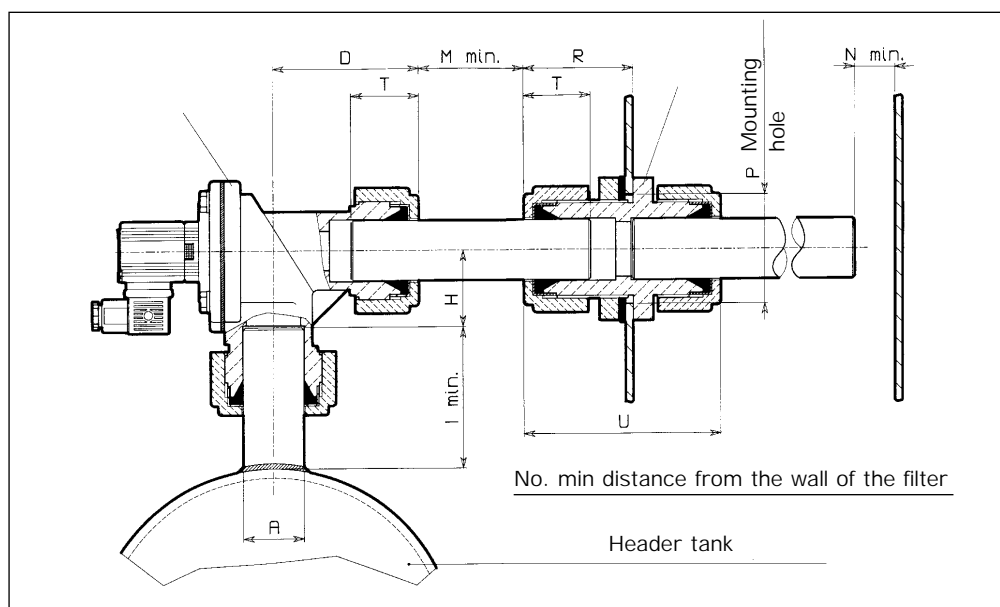
Use smooth non threaded pipes for connecting the header tank and filter blow tubes to the valve. Then tighten the quick fit connections with the proper size CH wrench (for nut rings) and PH (for bolts).

Note: these fittings have been designed only for the pneumatic seal, not for the mechanical support of the tank.



| CONSTRUCTION MATERIAL | |
|-----------------------|-----------------------------|
| Body | Anodized die-cast aluminium |
| Gaskets | NBR: -30°C / +100°C |
| | Silicone: -60°C / +200°C |

PTD ASSEMBLING LAYOUT OVER TWO PIECE TUBE



| TYPE | A Ø | D | H | I | M | N | T | Weight kg | TYPE | A Ø | R | P Ø | U | Weight kg |
|--------|--------|----|----|----|----|----|----|--------------|--------|--------|----|--------|-----|--------------|
| VEP306 | ¾" | 67 | 40 | 50 | 56 | 48 | 30 | 0,9 | PTD306 | ¾" | 54 | 42 | 102 | 0,35 |
| VEP308 | 1" | 80 | 48 | 60 | 70 | 50 | 36 | 1,2 | PTD308 | 1" | 57 | 54 | 106 | 0,6 |
| VEP314 | 1 ½" | 99 | 53 | 85 | 80 | 54 | 42 | 2,3 | PTD314 | 1 ½" | 76 | 70 | 140 | 1,3 |
| | | | | | | | | | PTD316 | 2" | 77 | 84 | 148 | 2 |